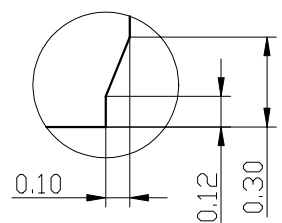
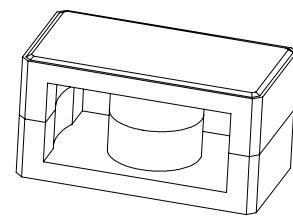
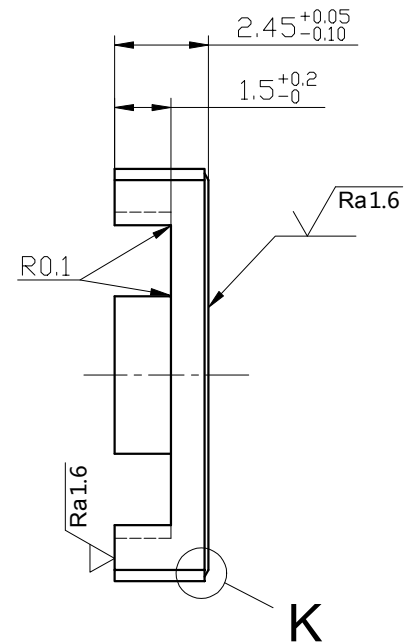
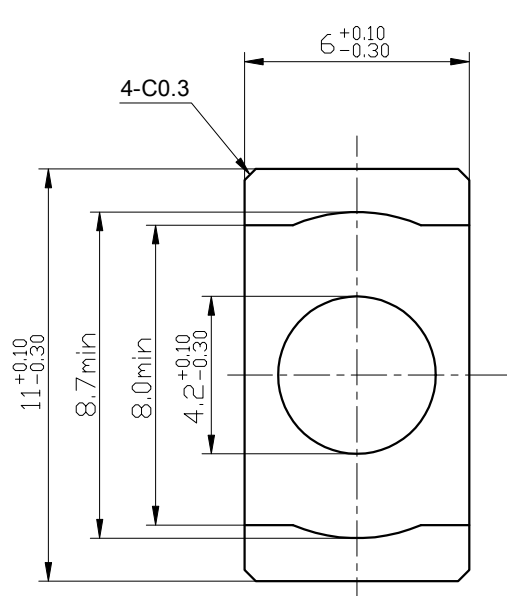


REVISION HISTORY			
Rev	DESCRIPTION	DATE	APPROVED



Detail K

	Scale 5: 1	Material	Customer Part number ER11/2.5/6 set	
	Unit: mm		Standard tolerances ±0.1	Product Name EER-11A
Approved by Y.Higuchi	Created by H.Huang	Document type Production drawing	Rev 00	Drawing No. PY170707M02
Hitachi Metals (Hong kong) Ltd. Panyu Factory			Date of issue Jul 07 2017	Sheet 1/1